

Concealed ceiling installation box for recessed ceiling installation -

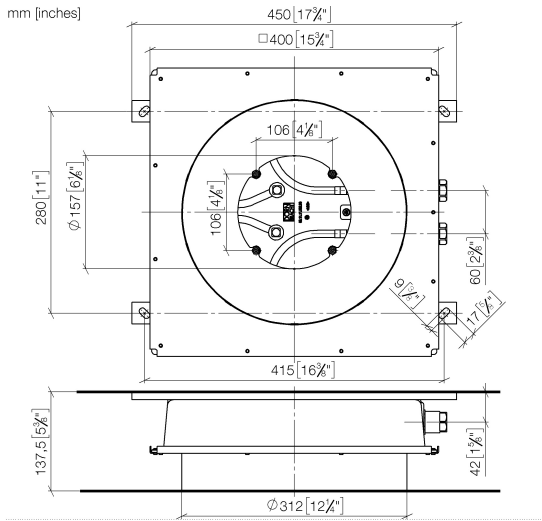
35 033 970 90



- concealed rough parts
- 2x female thread 1/2" connections
- flush-mounted installation box Ø 360 mm RAL 9003 signal white
- For simultaneous control of the jet types, we recommend the xTool thermostat module
- Not suitable for use in a steam room.

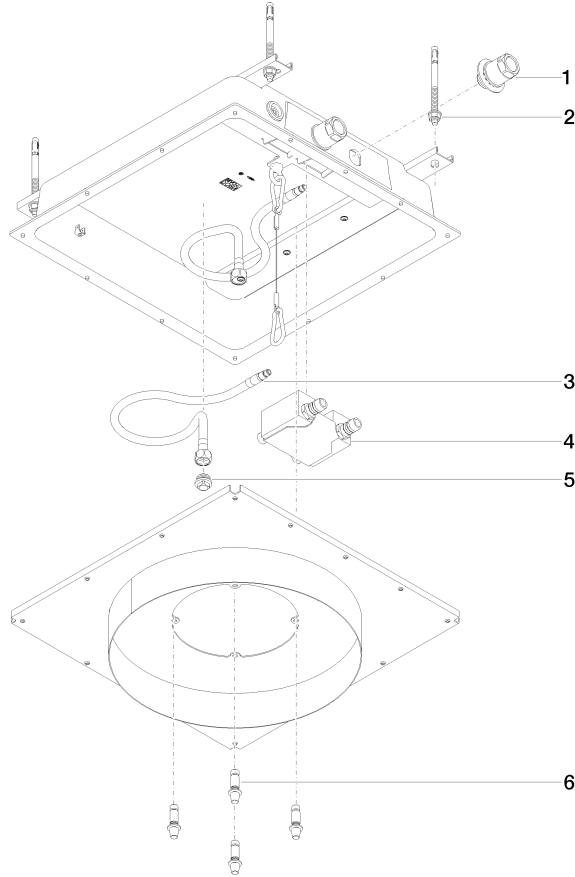
Concealed ceiling installation box for recessed ceiling installation -

35 033 970 90



Concealed ceiling installation box for recessed ceiling installation -

35 033 970 90



Spare parts list

No.	Item Number	Name	Quantity used	Delivery time
1	90 24 03 305 00 90	connection	1	2
2	04 30 35 008 00 90	fixing set	1	2
3	04 30 04 097 00 90	hose	2	60
4	90 30 01 216 10 90	Venting service kit	1	2
5	09 31 20 042 90	plug	2	2
6	90 30 01 215 00 90	fixing set	2	2